

## APC (Article Processing Charge) and EAA support - Rules for 2020

The APC is 900€ (VAT excluded). For short papers (\*) it is 450€ (VAT excluded).

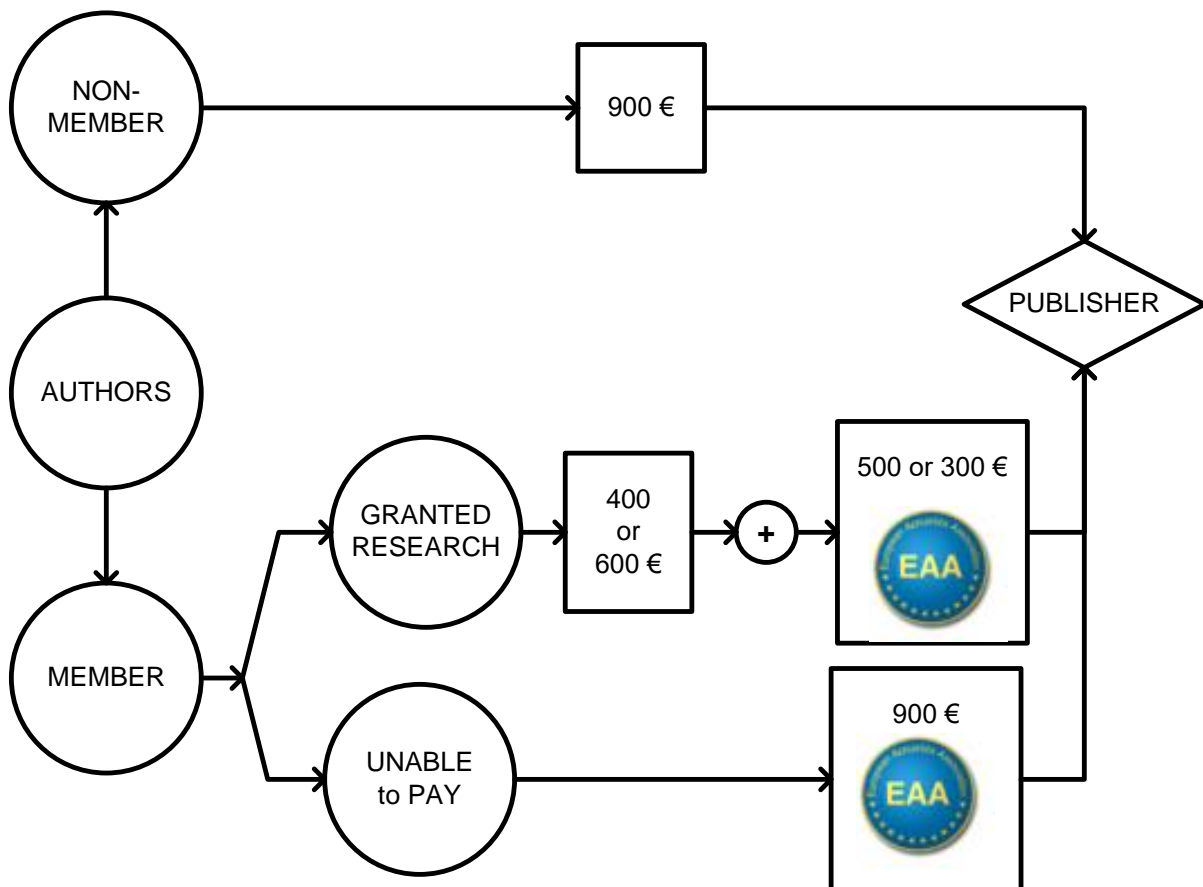
If the corresponding author is member of one of the National Societies of the European Acoustics Association <https://euracoustics.org/ea-societies/member-societies>, the EAA can partly support this charge, according to the scheme shown below.

The part not supported by the EAA will be invoiced by the publisher to the corresponding author.

Below is the procedure that each EAA member shall follow to ask for support:

- i) The corresponding author:
  - Fills the application form (category A if author is partially granted for APC from other funders or category B for author without any grant for APC i.e., no affiliation to an institution or affiliation to an institution which does not cover APC as an expense)
  - Sends it to the National Society (President and/or Secretary). One can find the contact addresses [here](#).
- ii) The National Society of the applicant will transmit the request and the information to the EAA General Secretary together with certification of her/his affiliation for at least the last three years. The address is [secretary@euracoustics.org](mailto:secretary@euracoustics.org), with copy to the Editor-in-Chief
- iii) The EAA General Secretary sends the information to the Publisher, with copy to the author.

(\*) Short paper (short communications and letters to the editor): less than 4 pages at the submission.



The application forms for categories A and B follow.

%%%

Application form A **(for authors who are partially granted for APC from other funders)**

First name

Last name

Accepted paper title

Institution (postal and email addresses, name of the treasurer)

Granted project (if any, references)

Financial support of the institution

National Society

Amount requested to EAA (depending on the already available funding, the author should select the most appropriate amount of the two propositions per article type):

- Regular articles: 300 or 500 € (VAT excluded)
- Short papers: 150 or 250 € (VAT excluded)

%%%

Application form B **(for corresponding authors without any grant for APC, i.e., no affiliation to an institution/company or affiliation to an institution/company which does not accept the APC as an expense)**

First name

Last name

Accepted paper title

Justification of the category (as precise as possible)

National Society

Amount requested to EAA (depending on the already available funding, the author should select the most appropriate amount of the two propositions per article type):

- Regular articles: 900€ (VAT excluded)
- Short papers: 450 € (VAT excluded)